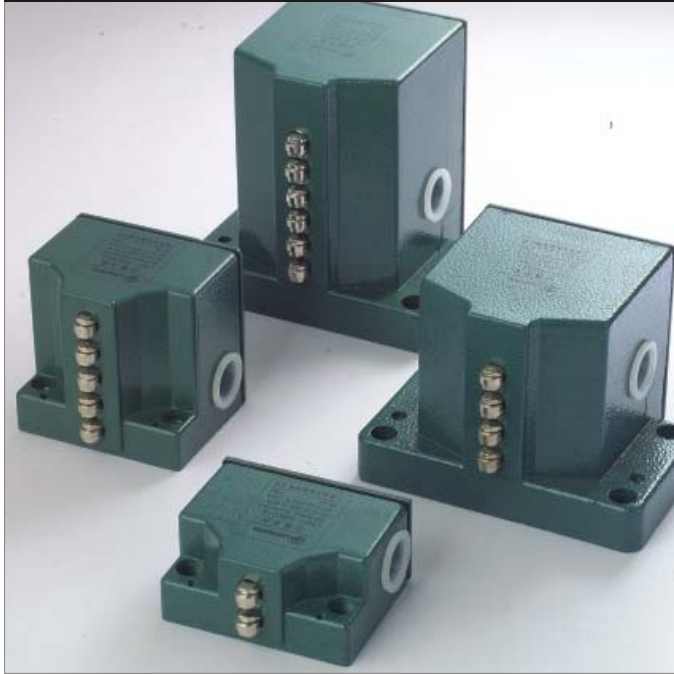


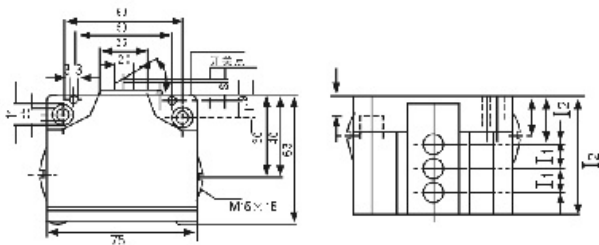
LXZ1 Limit Switch 组合式行程开关



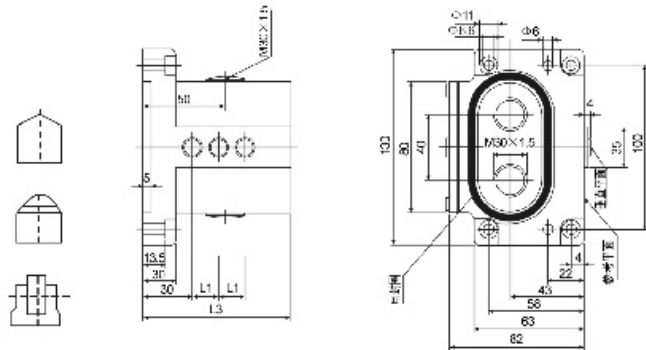
特性Specialty

LXZ1系列高精度组合行程开关是引进德国与美国技术开发研制而成的，该产品适用于交流50-60HZ，电压至220V-380V，或直流电压12-220V的控制电路中，作为控制、限位、定位、信号、程序转换等用途。本系列行程开关具有较高重复定位精度、防护等级高、寿命长、动作可靠等特点，特别适用于要求精度准确的场合。可广泛应用于各类数控机床、组合机床、各种动力、液压滑台及自动流水等机械设备的电气控制系统中。本开关的推杆树有2、3、4、5、6、8六种，推杆的头部形式、滚轮式和滚球式三种。开关的推杆采用双重弹簧结构，具有较好的缓冲作用，确保开关的可靠工作。产品符合GB14048.1、GB14048.5等标准。

LXZ1series high precision Xcombined limit switch is resesarched by the technology which we bring in from Germen and U.S.It severs under AC 50-60Hz,220-380V or DC 12-220V to control, catout, signal, transfer the process and so on. This series limti switch has high repeat-orient precision, high safety tank, long life, reliable action and so on, Especially use for the occasion which need the best precision. It can widely use in electric like different numerical control tool, combined tool, use all kinds of power and hydraulic pressure slipway and automatic production line Mechanical equipment and so on. The number of the handspike is 2,3,4,5,6, the shape of head of the handspike has three type: cone, idler wheel and idler ball. The construction of the handspike is double spring, has a good function of cushion. And the production is under the standard of GB14048.1,GB14048.5 and so on.



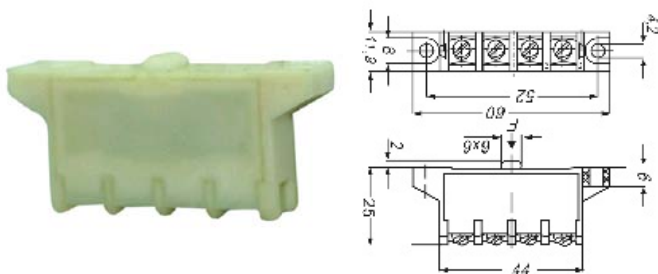
顶杆总数	2	3	4	5	6	8	
I ² 在I ¹ =12时	36	48	60	72	84	96	I ¹ =12
I ² 在I ¹ =16时	48	71	84				I ³ =16



顶杆形状

柱架总数	2	3	4	5	6	8	10	12	14	16
L2 在L1=12mm时	70	80	90	105	120	140	170	200	240	240
在L1=16mm时	70	90	105	120	140	170	200	240		

LXZ1-11K



LXZ1-M697

